

# HIGHLIFT



**T2250** | Telescopic Handlers



## Performance

Lifting height (Bob-Tach™)	5230.0 mm
Lifting height (Quick-Tach)	5210.0 mm
Rated capacity	2200 kg
Capacity (at max. height)	2200 kg
Capacity at max. reach (Bob-Tach™)	1000 kg
Capacity at max. reach (Quick-Tach)	950 kg
Max. reach (Bob-Tach™)	3010.0 mm
Max. reach (Quick-Tach)	3030.0 mm
Crowding force	2100 daN

## Weights

Weight (unladen)	4695 kg
------------------	---------

## Traction

Standard tyres	Mitas14x17.5
Low speed (forward/reverse)	7.0 km/h
High speed (forward/reverse)	25.0 km/h
Driving modes	Direct drive / soft drive

## Drive System

Main drive	2-speed hydrostatic motor
Transmission	Hydrostatic with electronic regulation

## Engine

Make / Model	KUBOTA / V3800-DI Turbo
Fuel	Diesel
Cooling	Liquid
Rated power (DIN 6271) at 2400 RPM	55.9 kW
Maximum torque at 1600 RPM	274.0 Nm
Number of cylinders	4
Displacement	3.80 L

## Hydraulic System

Pump type	Gear pump with LS valve
Combined pump capacity	85.00 L/min
Working pressure	240.00 bar

## Cycle Times

Lift time - no load	4.7 s
Lower time - no load	6.5 s
Telescope in time at max. reach - no load	4.2 s
Telescope in time at max. height - no load	4.2 s
Telescope out time at max. reach - no load	5.7 s
Telescope out time at max. height - no load	5.8 s

## Brakes

Engine braking	Hydrostatic
Parking and emergency brake	Negative brake with hydraulic command

## Fluid Capacities

Axles and reduction gears front / rear	8.9/5.6 L
Engine oil	12.00 L
Fuel tank	91.00 L
Hydraulic reservoir (hydraulic)	29.00 L

## Standard Features

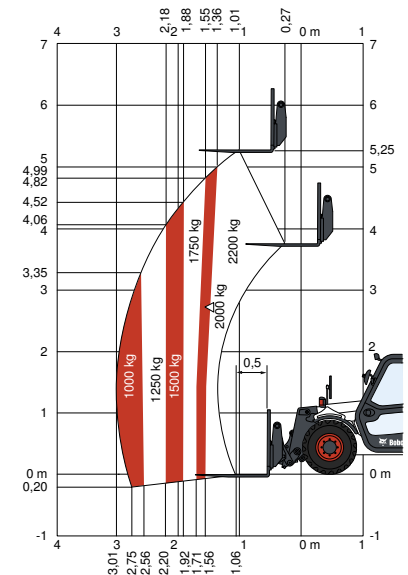
Aggravating Movements Arrester (AMA)	Turn signals
Hydrostatic transmission	Right and left side mirrors
ROPS/FOPS operator cab	Mudguards
Heating, demisting and ventilation	Turbo-charged engine
Front and rear washer/wipers	Quick-Tach
Seat with self-retracting seat belt	Front and rear work lights on cab
Road lights	Creep function (or SMS: Speed management system)

## Options

Back up alarm	Windscreen grill
Air conditioning	Transmission lock override
Rotating beacon	Float function
Rear hydraulic auxiliary connection	Bob-Tach™
Boom light	Hydraulic line at boom end with ACD
Set of blue lights for hen houses	Rear pin-type hitch
Carriage with hydraulic attachment lock	Boom stop

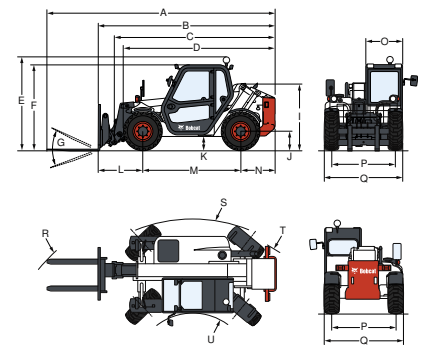
## Load Charts

With forks and 14 x 17.5 tyres, with Bob-Tach™



Complies with stability test EN1459 Annex B

## Dimensions



(-) 1175.0 mm	(I) 1553.0 mm
(-) 845.0 mm	(J) 430.0 mm
(A) 5330.0 mm	(K) 294.0 mm
(B) 4145.0 mm	(M) 2300.0 mm
(C) 3984.0 mm	(O) 860.0 mm
(C) 4000.0 mm	(P) 1485.0 mm
(D) 3585.0 mm	(Q) 1840.0 mm
(E) 2185.0 mm	(R) 4280.0 mm
(F) 1985.0 mm	(S) 3170.0 mm
(G) 148°	(U) 1500.0 mm

Specifications and design are subject to change without notice. Pictures of Bobcat products may show other than standard equipment.



www.bobcat.eu

**HIGHLIFT**