

Performance

Lifting height — on stabilisers	13600.0 mm
Lifting height — on tyres	13300.0 mm
Rated capacity	4100 kg
Capacity (at max. height on stabilisers)	4100 kg
Capacity (at max. height on tyres)	2500 kg
Capacity (at max. reach on stabilisers)	1250 kg
Capacity (at max. reach on tyres)	500 kg
Max. reach on stabilisers	9800.0 mm
Max. reach on tyres	9800.0 mm
Crowding force	5200 daN

Weights

Weight (unladen)	10290 kg
------------------	----------

Traction

Standard tyres	400/80x24
1st gear / low range	8.5 km/h
2nd gear / high range	30.0 km/h
Driving modes	Direct drive / soft drive

Drive System

Main drive	Hydrostatic motor
Transmission	Hydrostatic with electronic regulation

Engine

Make / Model	DEUTZ / TCD 3.6 L4
Fuel	Diesel
Cooling	Liquid
Rated power (ISO 14396) at 2300 RPM	74.4 kW
Maximum torque at 1600 RPM	410.0 Nm
Number of cylinders	4
Displacement	3.62 L

Hydraulic System

Pump type	Gear pump with LS valve
Combined pump capacity	100.00 L/min

Cycle Times

Lift time - no load	12.8 s
Lower time - no load	8.4 s
Telescope in time at max. reach - no load	12.9 s
Telescope in time at max. height - no load	11.3 s
Telescope out time at max. reach - no load	18.8 s
Telescope out time at max. height - no load	18.8 s

Brakes

Engine braking	Hydrostatic
Parking and emergency brake	Negative brake with hydraulic command

Fluid Capacities

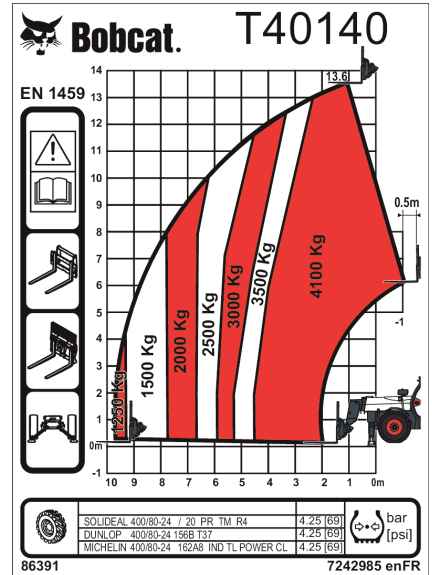
Engine oil	8.00 L
Fuel tank	145.00 L
Hydraulic reservoir	76.00 L

Environmental

Operator noise level (LpA) (EN 12053)	79 dB(A)
Level of acoustic power (LWA)	106 dB(A)
Whole body vibration (EN 13059)	0.29 ms ⁻²

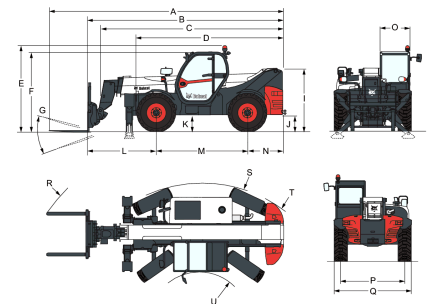
Load Charts

With forks and standard 400/80x24 tyres, on stabilisers



Complies with stability test EN1459 Annex B

Dimensions



(-)	16.0°	(M)	2850.0 mm
(-)	109.0°	(O)	930.0 mm
(A)	7313.0 mm	(P)	1992.0 mm
(B)	6052.0 mm	(Q)	2394.0 mm
(E)	2670.0 mm	(R)	5720.0 mm
(F)	2476.0 mm	(S)	3782.0 mm
(G)	124.0°	(U)	1761.0 mm
(J)	500.0 mm		