



## Outstanding rough terrain driving features

- 4 wheel drive and steer
- Oscillating axle
- Differential wheel lock
- Ground clearance of 38 cm / 15 in
- Full proportional controls and simultaneous boom functions

## Optimal productivity

- The tightest turning radius on the market
- Max. 69 ft 11 in (21.30 m) horizontal outreach
- Unrestricted working envelope





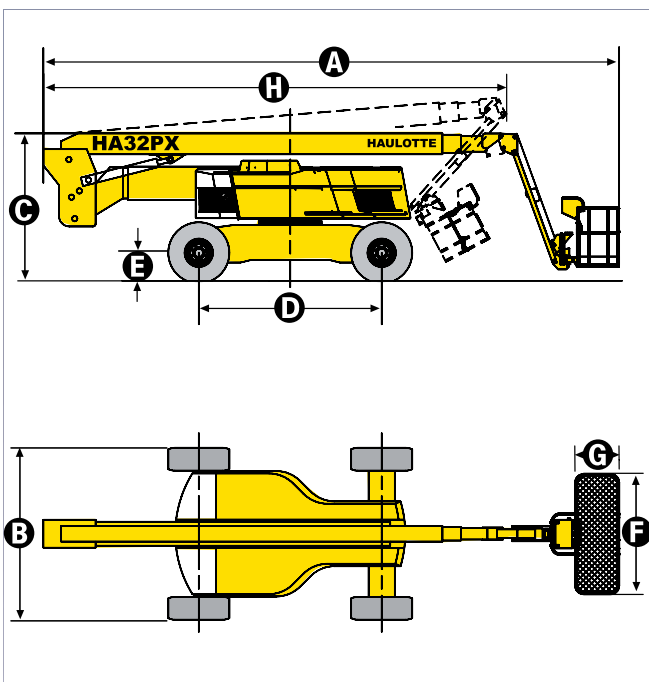
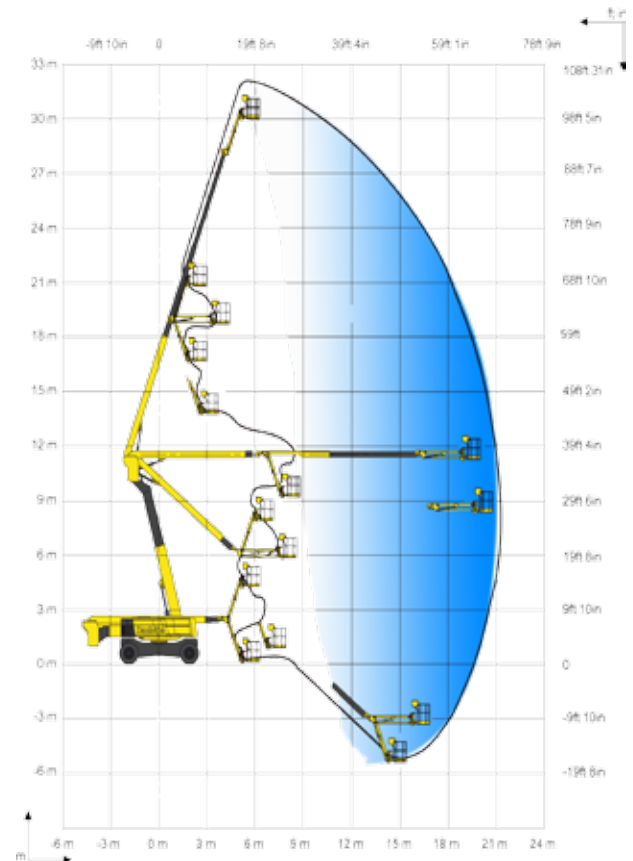
# HA32 PX

ROUGH TERRAIN ARTICULATING BOOMS

## TECHNICAL DATA

## HA 32 PX

Working height	31.8 m
Platform height	29.8 m
Horizontal outreach	21.3 m
Up and over clearance	11.35 m
Lift capacity	250 kg
<b>F</b> x <b>G</b> Platform size	2.44 x 0.8 m
<b>A</b> Length	11.16 m
<b>H</b> Transport length	8.9 m
<b>B</b> Width	2.5 m
Width - with extended axles	3.33 m
<b>C</b> Height - stowed	2.7 m
Transport height	3.3 m
Vertical jib rotation	140° (+70/-70)
Platform rotation	180° (+90/-90)
Turntable rotation	360 °
Tailswing	0.5 m
<b>D</b> Wheelbase	3.5 m
<b>E</b> Ground clearance	38 cm
Tilt	5 °
Drive speed	0.5 - 5 km/h
Gradeability	45 %
Turning radius - outside	5.1 m
Tires - foam-filled	445/65-22.5
Power source	62 kW - 84.2 hp
Weight	20700 kg



## STANDARD EQUIPMENT

- 12 V battery / electrical control system
- 4 wheel drive and steer
- 2 extendable axles
- Brake release
- Slewing block pin
- Maintenance made easy: swing out engine tray
- Hourmeter
- Towing hooks
- Safe to use in winds up to 60km/h / 40mph
- Tilt controller 5°
- Auxiliary power in the platform for emergency descent

## OPTIONS AND ACCESSORIES

- Rotating beacon
- Travel alarm
- Working light
- On-board generator
- Biodegradable hydraulic oil
- Power to platform

2420604390 - We reserv the right to modify the technical characteristics of this document without notice - 11/2011

